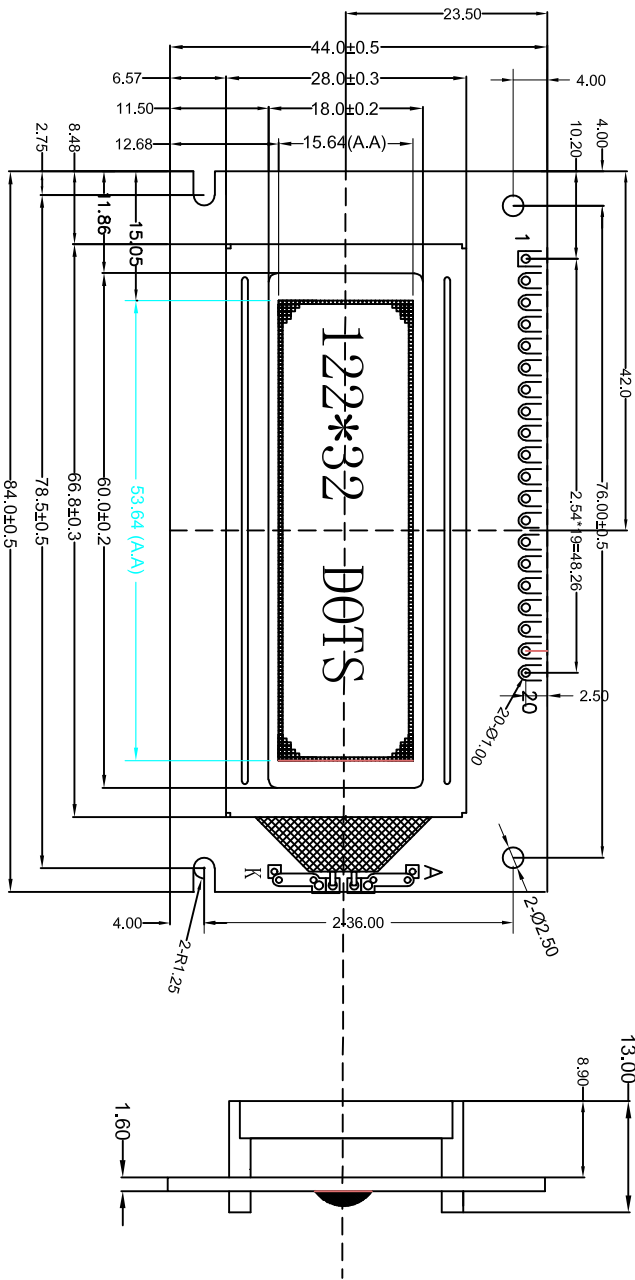
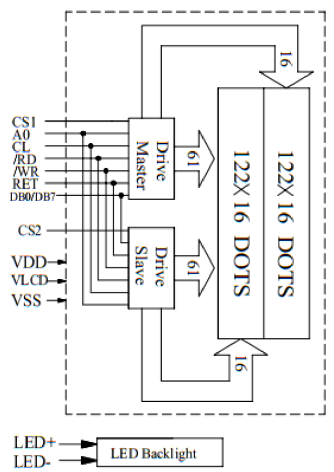
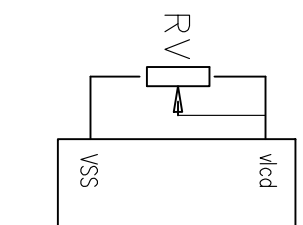


Customer approval :

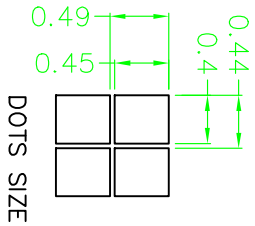


PIN CONNECTIONS	
PIN	Symbol Level Function
1	VSS — GND(0V)
2	VDD — Supply Voltage for Logic(+5V)
3	VLCD — Power Supply for LCD
4	A0 H/L H: Data L: Instruction Code
5	CS1 L Chip1 Select input (Active LOW)
6	CS2 L Chip2 Select input (Active LOW)
7	CL H/L External Clock (2KHz)
8	/RD L Read Enable sigma (Active LOW)
9	/WR L Write Enable sigma (Active LOW)
10	DB0 H/L
11	DB1 H/L
12	DB2 H/L
13	DB3 H/L
14	DB4 H/L
15	DB5 H/L
16	DB6 H/L
17	DB7 H/L
18	RET L Reset Signal (Active LOW)
19	LED+ — Backlight Power (+5V)
20	LED- — Backlight Power (0V)



**Specification:**

- 1). Driving: Duty:1/32, Bias:1/8, VLCD:4.8V(Ref), VDD:5V
- 2). Viewing Direction: 6 O'clock
- 3). Display mode:STN/Gray/Positive/Transflective
- 4). Operating temp.: -20°C~+70°C
- 5). Storage temp.: -30°C~+80°C
- 6). Backlight:EDGE, WHITE,LED,5V/18MA
- 7). Dimensions with mark "\*" are important, with mark "(") are referenced
- 8). All the raw materials are RoHS compliant



REV	REVISION RECORD	DATE	TCCLCD HT- Tech Co., Ltd.			GENERAL TO:
A	FIRST ISSUE	2006/10/23	MODEL NO.	SYB12232AVV11-5C13G1LN288WG	模组型号	宋注公差
B			CHECKED BY	Francois	检查	PAGE: 1 OF 1
C			APPROVED BY	Liu	审核	UNIT: 单位mm
WWW.TCCLCD.COM			2015/11/03	2015/11/03	2015/11/03	PROJECTION 三角法