

SYB12864A

v2.0

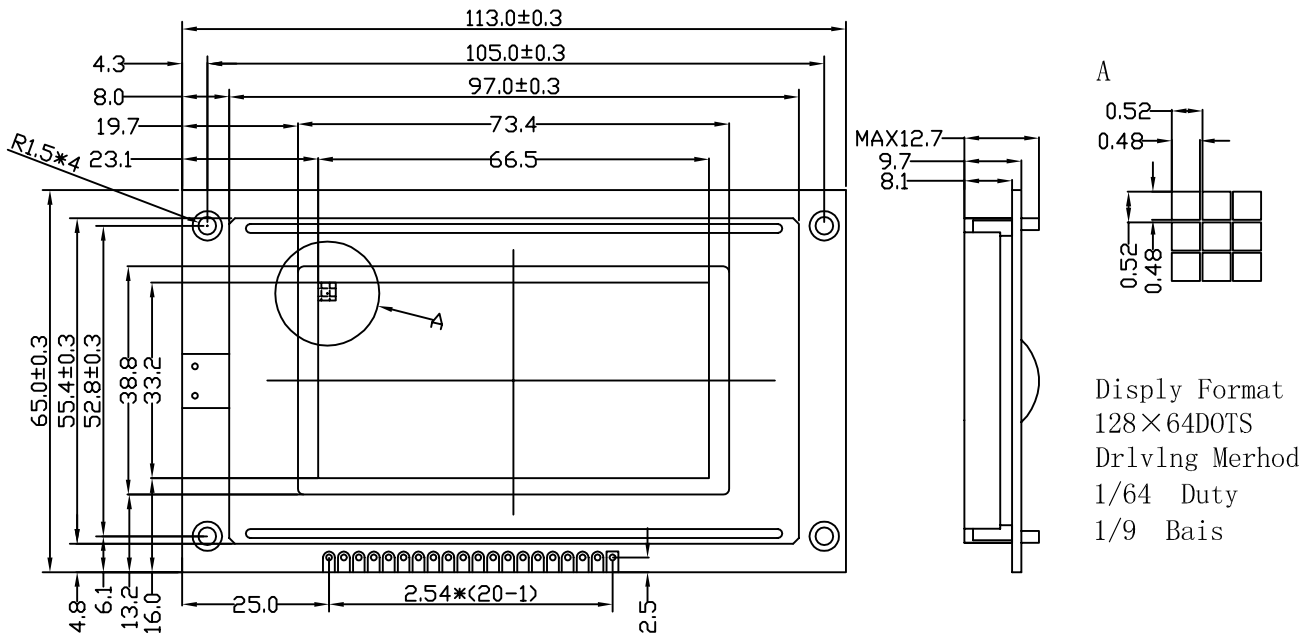
ShenZhen TCC LCD Hi-Tech CO.,Ltd

TEL:075529644102/3/4/5/6/7 FAX:27897479
 http://www.lcmled.com http://www.tceled.com
 Email:tcc@lcmled.com



地址: 深圳市宝安区39区4号厂房2楼

① PHYSICAL DIMENSION/外型尺寸

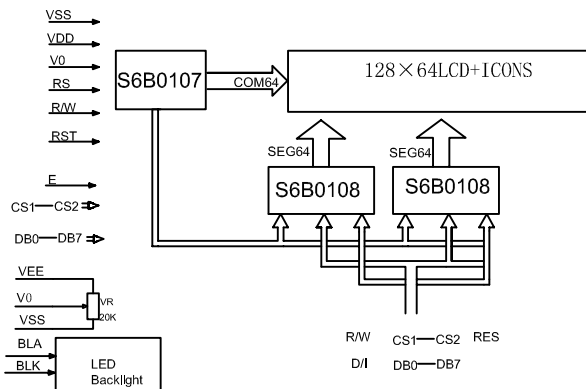


② FEATURES/特征

Feature(特征)	UNIT(单位)
LCD type & Colour(类型及颜色)	STN Yellow-green ;STN Blue
Vlew Angle(视角)	6 0' clock
Operating temperature(工作温度)	-20℃ ---- 70℃
Storage Temperature(贮存温度)	-30℃ ---- 80℃
Control IC & Package(控制芯片及封装)	S6B0107 , COB
Weight(重量)	98 (With B/L)
Backlight(背光类型)	LED

Ta=25℃		MIN(最小)	TYP(典型)	MAX(最大)	UNIT(单位)
Supply current don't contain backlight(无背光时电流)		0	9.2		mA
VDD(电源)		-0.3	5.0	5.5	V
VLCD-V0(LCD驱动电压)		0	-4.7		V
Backlight LED (背光电压,电流)	侧背光	0	5.0	5.0	V
	底背光	0	75		mA
		0	5.0	5.5	V
		0	180		mA

④ BLOCK DIAGRAM/原理电路



③ PIN CONFIGURATION/管脚说明

PIN	SYMBOL	DESCRIPTION(定义描述)	
1	VSS	Power ground (地)	
2	VDD	Power positive(逻辑电压)	
3	V0	Operating voltage for LCD Driver(对比度调节)	
4	RS	H:Data(数据) L:Instruction(指令)	
5	RW	H:Read data(读数据) L:Write data(写数据)	
6	E	Enable single(使能,下降沿有效)	
7	DB0	Data bus [0~7]. There state I/O common terminal. (数据线0-7)	
14	DB7		
15	CS1		Chip select active-low(片选1, 低电平有效)
16	CS2		Chip select active-low(片选2, 低电平有效)
17	RST		Reset Signal active-low(复位, 低电平有效)
18	VOUT		Negative voltage output(负压输出)
19	BLA		Power supply for backlight(+)(背光正极)
20	BLK		Power supply for backlight(-)(背光负极)

⑤ ELUCIDATION/补充备注

--