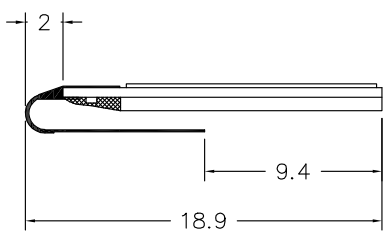
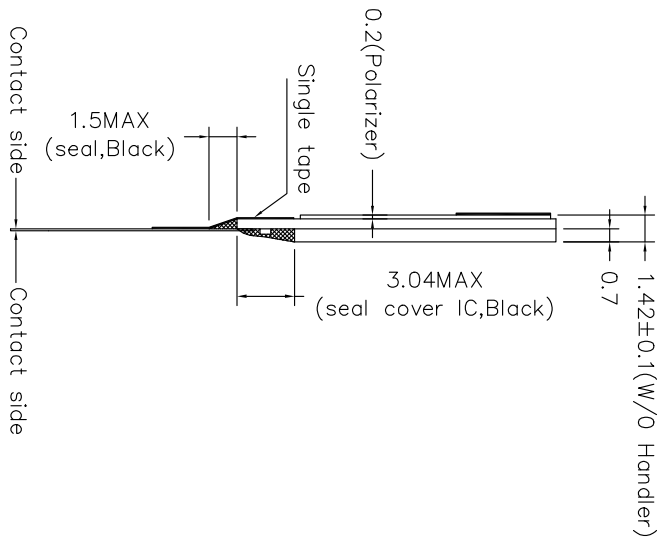
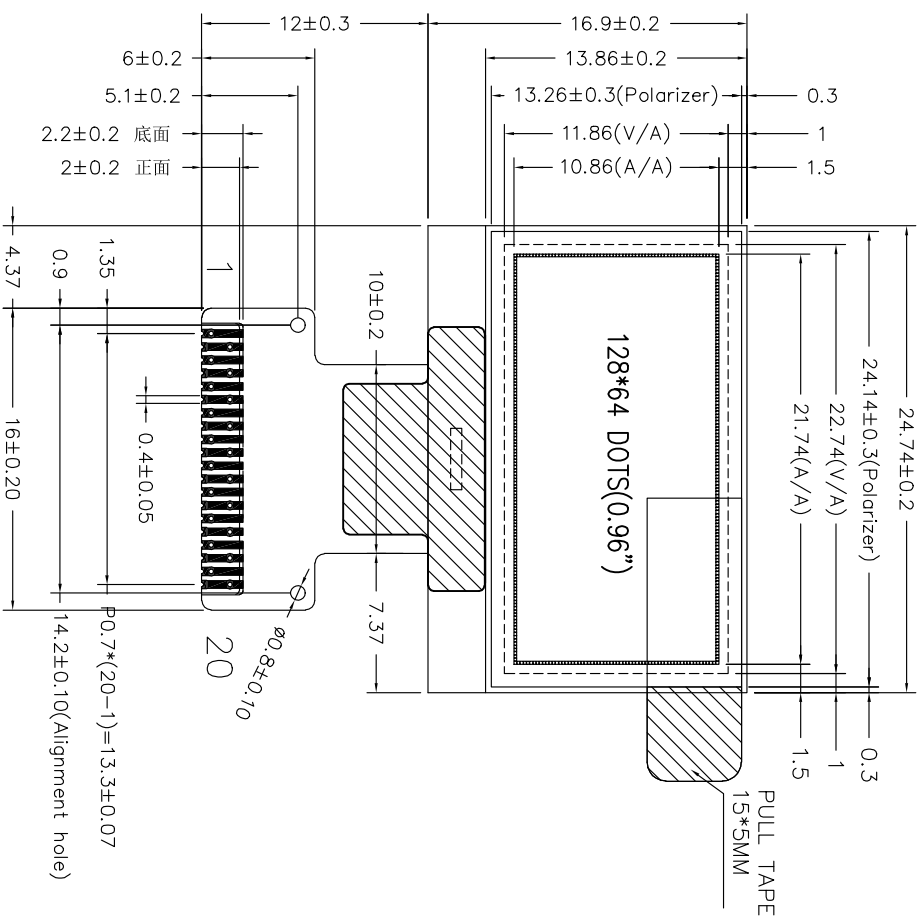


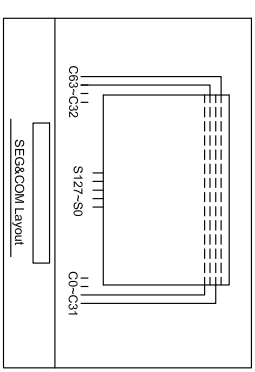
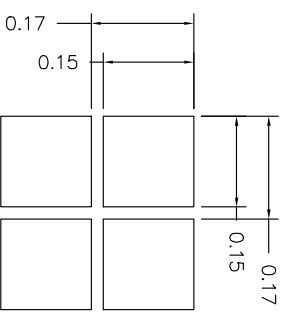
Customer approval :



Reference Only

Specifications:

1. Display : OLED(White).
2. Dot Matrix: 128*64
3. Dot Size: 0.15*0.15mm
4. Dot Pitch: 0.17*0.17mm
5. Aperture Rate: 78%
6. Active Area : 21.74*10.86mm
7. Drive IC: SSD1315Z

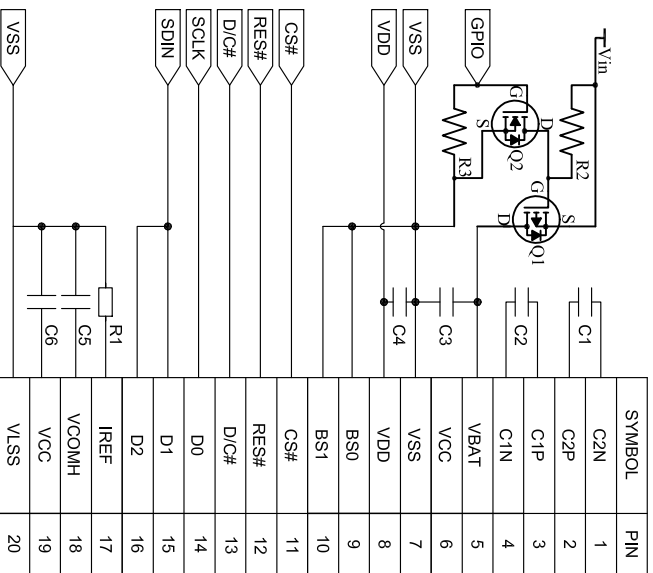


| | |
|----|----------|
| 1 | RESM/BOL |
| 2 | C2N |
| 3 | C2P |
| 4 | C1P |
| 5 | C1N |
| 6 | VBAT |
| 7 | VCC |
| 8 | VSS |
| 9 | VDD |
| 10 | BS0 |
| 11 | BS1 |
| 12 | CS# |
| 13 | RES# |
| 14 | D/C# |
| 15 | D0 |
| 16 | D1 |
| 17 | D2 |
| 18 | IREF |
| 19 | VCOMH |
| 20 | VCC |
| 20 | VSS |

| | | | | | | |
|-----|-----------------|------------|-----------------------------------------------------------|-------------------------|--------------|------------|
| REV | REVISION RECORD | DATE | 深圳市三元晶科技有限公司 Shenzhen TCC LCD Hi-Tech Co., Ltd. | | | |
| A | FIRST ISSUE | 2017/08/08 | MODEL NO. | SYO12864A01-3C58WN2-WCE | GENERAL TOL: | ± 0.3 |
| B | | | 模组型号 | | 未注公差 | |
| C | | | APPROVED BY | 审核 | CHECKED BY | 检查 |
| D | | | Liu | Francis | DRAWING BY | 绘图 |
| | | | 2017/08/08 | 2017/08/08 | Luoxian | 2017/08/08 |
| | | | | | PAGE: | 页面1 OF 2 |
| | | | | | PROJECTION | 三角法 |
| | | | | | UNIT: | 单位mm |

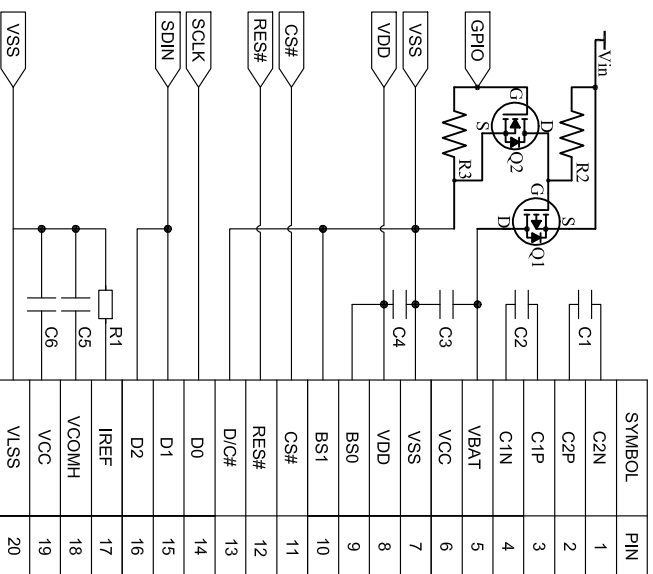
Customer approval :

4SPI INTERFACE



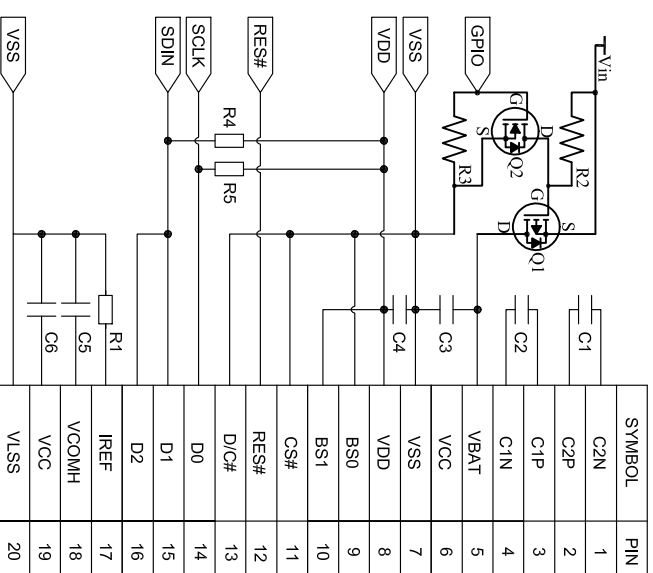
C1,C2,C3,C4: 1uF/16V
 C5,C6: 4.7uF/25V
 R1: 620KΩ±1%
 R2,R3: 47KΩ
 Q1: FDN338P
 Q2: FDN335N

3SPI INTERFACE



C1,C2,C3,C4: 1uF/16V
 C5,C6: 4.7uF/25V
 R1: 620KΩ±1%
 R2,R3: 47KΩ
 Q1: FDN338P
 Q2: FDN335N

I2C INTERFACE



C1,C2,C3,C4: 1uF/16V
 C5,C6: 4.7uF/25V
 R1: 620KΩ±1%
 R2,R3: 47KΩ
 R4,R5: 4.7KΩ
 Q1: FDN338P
 Q2: FDN335N

| REV | REVISION RECORD | DATE |
|-----|-----------------|------------|
| A | FIRST ISSUE | 2017/08/08 |

| | | | | |
|---|--------------------|-------------------------|----------------------|-------------------|
| B | MODEL NO. 模组型号号 | SYO12864A01-3C58WN2-WCE | GENERAL TOL: 未注公差 | ± 0.3 |
| C | APPROVED BY 审核 | Francis | DRAWING BY 绘图 | PAGE: 页面2 Of 2 |
| D | DATE 2017/08/08 | Luoxian | PROJECTION 三角法 | UNIT: 单位mm |



深圳市三元晶科技有限公司
 Shenzhen TCC ICD Hi-Tech Co., Ltd.